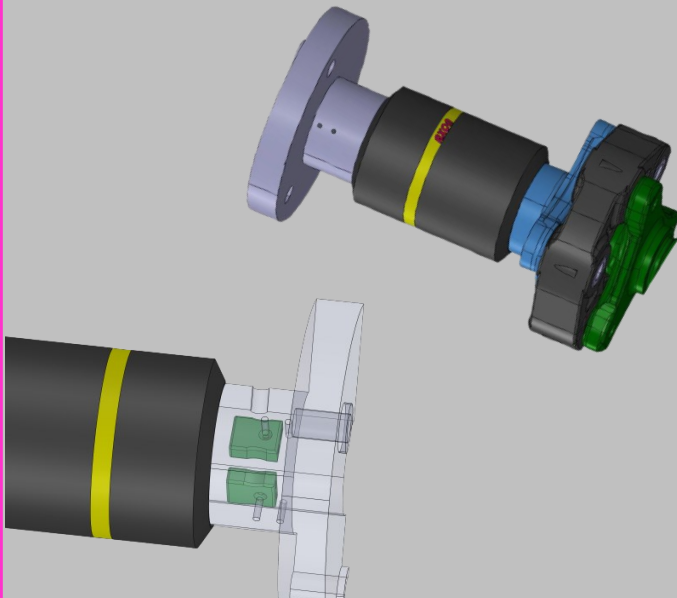
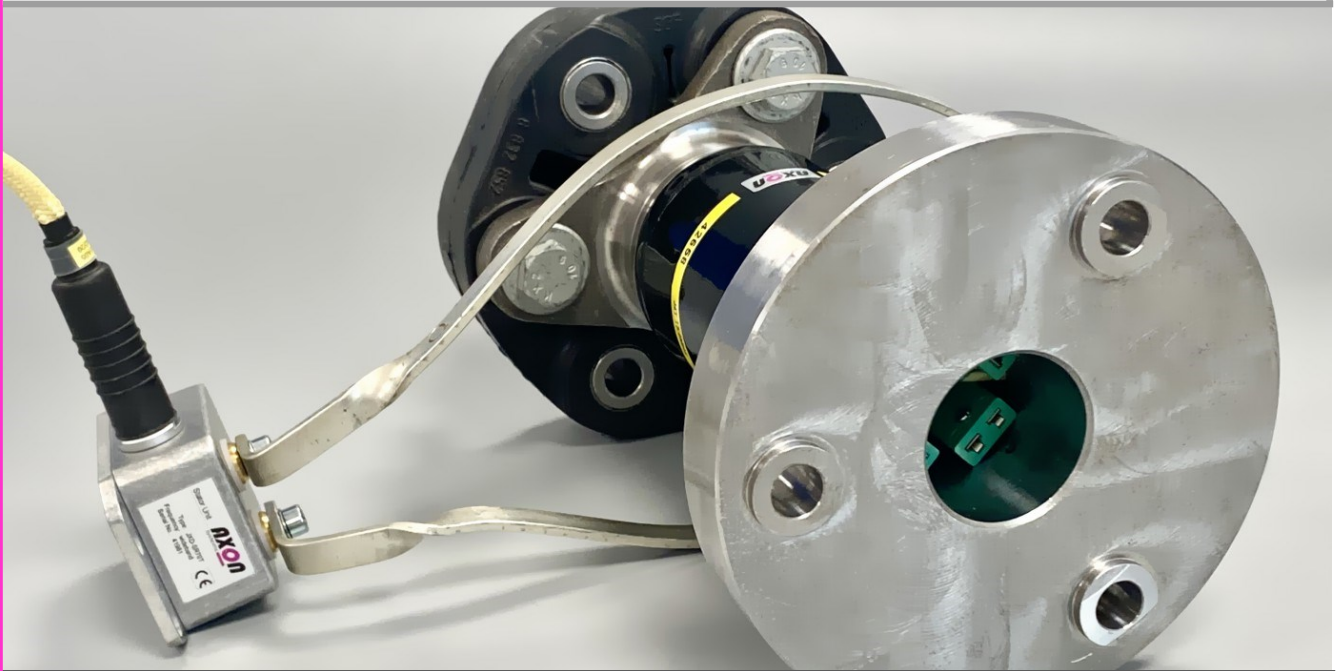


J4T - telemetry carrier

for measuring temperatures in a rear axle drive

Application Note 1156



The J4T telemetry system allows simultaneous transmission of four thermocouple signals from rotating shafts. This installation provides four thermocouple female connectors for easy connection of the transducers. Sensor wiring comes through a hollow shaft from the differential gearbox.

A high efficiency inductive power supply makes it an ideal and reliable solution for both, test benches and vehicle testing.

